

Gas Stay Range

All gas stays carry a 2 year / 20,000 cycle guarantee

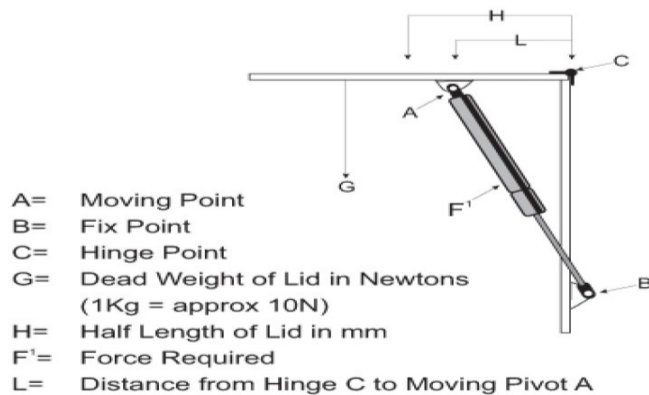


Inventory Code	Length	Force	Stroke	Shaft	Cylinder
GASS195350	195mm	350N	60mm	6mm	15mm
GASS245600	245mm	600N	85mm	8mm	18mm
GASS250150	250mm	150N	80mm	8mm	18mm
GASS315180	315mm	180N	125mm	6mm	15mm
GASS320100	320mm	100N	125mm	8mm	18mm
GASS320150	320mm	150N	125mm	8mm	18mm
GASS320200	320mm	200N	125mm	8mm	18mm
GASS320250	320mm	250N	125mm	8mm	18mm
GASS320300	320mm	300N	125mm	8mm	18mm
GASS320400	320mm	400N	125mm	8mm	18mm
GASS320500	320mm	500N	125mm	8mm	18mm
GASS410200	410mm	200N	210mm	8mm	18mm
GASS1	425mm	100N	150mm	8mm	18mm
GASS15	425mm	150N	150mm	8mm	18mm
GASS2	425mm	200N	150mm	8mm	18mm
GASS3	425mm	300N	150mm	8mm	18mm
GASS4	425mm	400N	150mm	8mm	18mm
GASS5	425mm	500N	150mm	8mm	18mm
GASS6	425mm	600N	150mm	8mm	18mm
GASS510200	510mm	200N	210mm	8mm	18mm
GASS510250	510mm	250N	210mm	8mm	18mm
GASS510300	510mm	300N	210mm	8mm	18mm
GASS536	510mm	360N	210mm	8mm	18mm
GASS510400	510mm	400N	210mm	8mm	18mm
GASS550MK2	510mm	500N	210mm	8mm	18mm
GASS550300	550mm	300N	240mm	8mm	18mm
GASS575500	575mm	500N	240mm	10mm	22mm
GASS575700	575mm	700N	240mm	10mm	22mm
GASS670250	670mm	250N	295mm	10mm	22mm
GASS670300	670mm	300N	295mm	10mm	22mm
GASS670350	670mm	350N	295mm	10mm	22mm
GASS670500	670mm	500N	295mm	10mm	22mm
GASS350N	700mm	350N	300mm	10mm	22mm
GASS550N	700mm	550N	300mm	10mm	22mm
GASS650N	700mm	650N	300mm	10mm	22mm
GASS750N	700mm	750N	300mm	10mm	22mm
GASS9401150	940mm	1150N	454mm	14mm	28mm
GASS1101150	1100mm	1150N	505mm	14mm	28mm

We also stock 3 bracket options

GASSLPE
GASSRAB
GASSRABI

Low Profile Flat Bracket 10mm Ball External
Right Angled Bracket External with 10mm Ball Black
Right Angled Bracket Internal with 10mm Ball Black



Formula: $F' = \frac{G \times H}{L} + 30\%$ ÷ The Number of Gas Struts Required

Ask our trained customer service staff for help working out your required Newtons.

We need from you
* how high is the door?
* what is the downward pressure in KGs when the door is open to 90deg?
* how many gas stays are you fitting?
We recommend two in most cases.

NOTE:

To Gain an Extra 10 Degrees Lift, Move Point A Towards Point C by 20mm.

